

Al Fresco Series
Outdoor Fireplaces



Turn your outdoor
gathering place into
a showplace.

Al Fresco Series

It's the perfect addition to any outdoor room.

Whenever there's a chill in the air or whenever you want to make your gathering something to remember, treat your guests to the spectacular warmth and elegance of a Majestic® outdoor fireplace. Our outdoor fireplaces feature expansive firebox openings, stainless steel construction, and the quality construction you'd expect from Majestic. Available in both wood and gas models, you can add the ambiance of a fireplace almost anywhere – from a city rooftop to a suburban backyard retreat.

Features and Benefits

- Choice of 5 all stainless steel outdoor fireplaces that feature stainless steel mesh screen, basket grate and concrete brick firebox lining
- ODGSR36A and ODGSR42A are fully insulated radiant gas fireplace models in 36" and 42" size and include:
 - Flex line with cut off pre-installed
 - Weather resistant Insta-Flame gas burner system and logs
 - 60,000 BTUs provides superior warmth on chilly nights
- No venting required on gas models means installation flexibility - gas models can be installed virtually anywhere allowable by local building code
- ODSR36A, ODSR42A and ODSHR42 are fully insulated radiant wood burning fireplace models in 36" and 42" size with built-in flue damper and gas line knock-out.
- Wood models utilize SK8 Majestic venting OR CF11
- Chimney height may be as low as 6 ft. 4" if Al Fresco wood fireplace is installed as a free standing model at least 10 ft. from any combustible structure

Optional for Al Fresco outdoor fireplaces:

- Bi-fold doors glass doors are available in weather-resistant stainless steel
- Outside air kit, termination kit or chimney reduction kit for wood burning models
- Weather cover for gas logs/burner
- Drain pan (recommended for exterior wall applications)





ODSR42A Wood



ODSHR42 Wood



ODGSR36A Gas



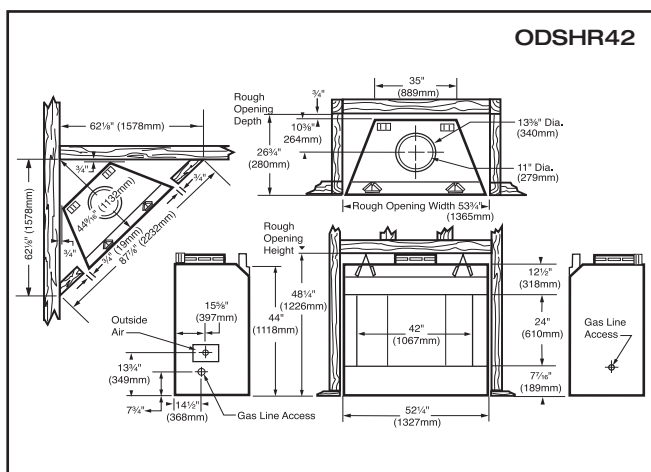
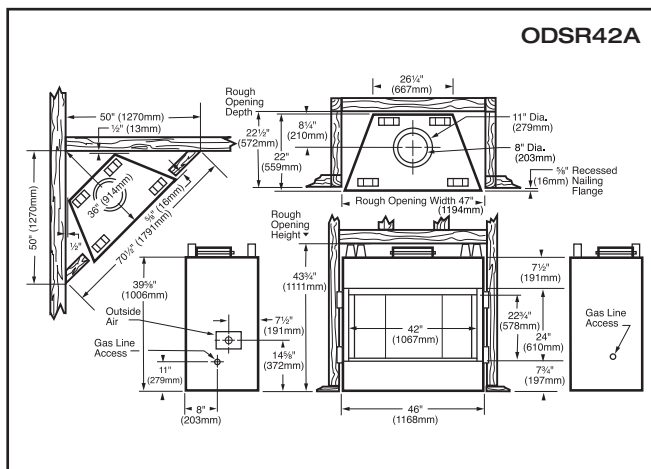
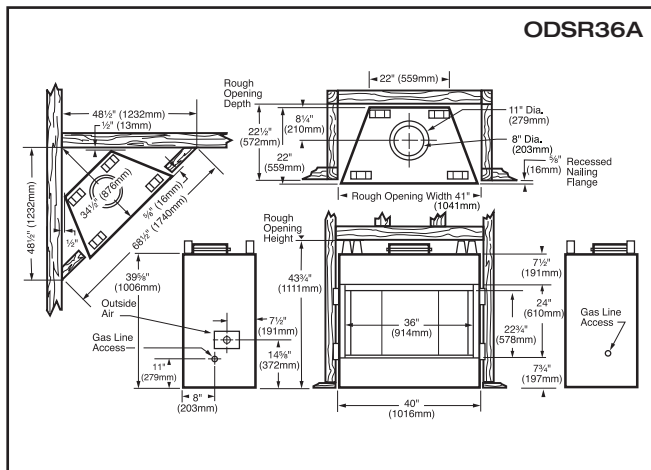
ODGSR42A Gas

Al Fresco Series Outdoor Wood & Gas Fireplaces

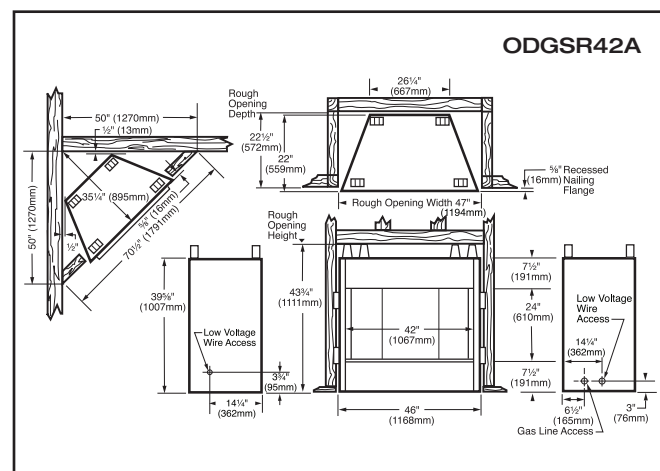
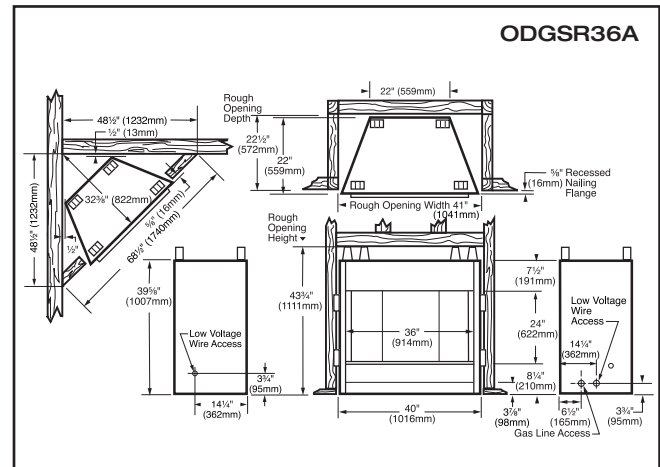
Models • ODSR36A • ODSR42A • ODSHR42 • ODGSR36A • ODGSR42A



WOOD FIREPLACES



GAS FIREPLACES



ph: 1.800.525.1898
www.vermontcastings.com
www.majesticproducts.com

YOUR DEALER

© 2008 CFM Corporation - All rights reserved. Majestic® Fireplaces is a registered trademark of CFM Corporation. In the interest of constant product improvements, we reserve the right to change specifications without notice. Before installations, please read Installation Instructions and check all local Building Codes and Gas Regulations. Please see your Dealer or visit www.majesticproducts.com for complete warranty information.

Printed in Canada

HE001-1000-9103